

CABLE REELS IP65 "1700 SERIES"



Modern, strong and reliable cable reel series, in accordance with European rules.

General features: (check on the table the characteristics for every model)

- painted aluminium and steel case;
- side fastening aluminium bracket, with ratchet (these cable reels are delivered with disconnected ratchet, and it can easily inserted by user **before** the installation);
- steel springs suitable to grant the optimum cable traction and a long life;
- **protection degree IP65;**
- delivered with cable H05VV-F, H07RN-F, or without cable;
- suitable to recoil cables from 1 to 24 conductors, with max. length 53 m.,
- collectors with power: 32-50-100 Amp.; delivered with 2,5 m. incoming cable;
- working temperature: -5°C/+40°C; max. recoiling speed: 40 m./minute;
- collector insulating power 2,5 Kv; roller cable-guide;

Caution: in order to have the reel properly working, it is most important to verify that the installation method corresponds to one of the possible ones for that model.

Accessories on request: (Caution - IMPORTANT - check on the table if it is possible to install these accessories on the selected model of reel)

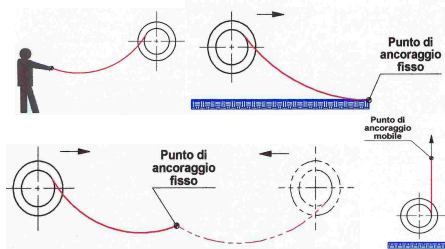
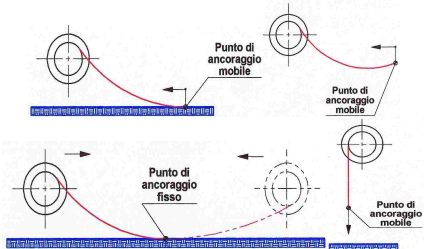
Art. 1701 - swivelling bracket

Art. 1703 - fixed bracket

Art. 1704 - swivelling mouth

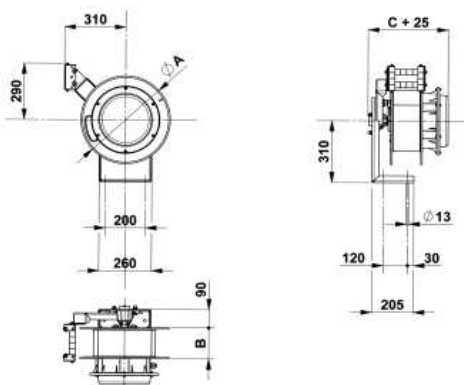
Art. 950 - price supplement for installation of non standard cable, or for standard length variations.

REMARKS: These cable reels are to be considered components of a complex whole. Consider a suitable amperometric protection at the top of the reel considering the most unfavourable condition, viz, with cable completely wound. This protection must interrupt all the phases, but not earth contact in case of anomaly or extra electrical input. Unipolar models are suitable for earthing.

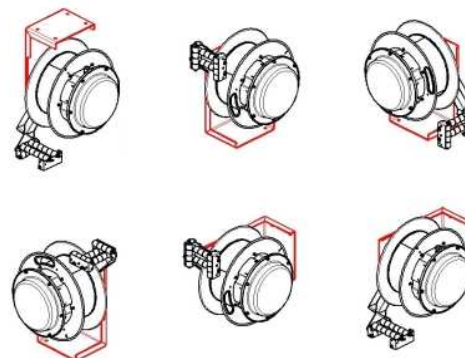
Serie 1700 cable H05 VV-F																										
						n° cond.	sez. cond. (mm²)	collector (A)	Ø est. cable (mm)	weight cable (gr/m)	m. of cable	Cod.	KW	W	m. of cable	Cod.	1701	*	1703	1704	A	B	C	D		
1	16	50	8	180	30	1711						o	x	o	o	440	160	365								
	25	100	10	280	30	1712						o	x	o	o	440	160	365								
2	2,5	32	9,5	130			230V	2,0	230V	29	1714	o	x	o	o	440	160	365								
					39	1715				o	x	o	o													
3	2,5	32	9,5	160			230V	2,0	230V	29	1717	o	x	o	o	440	160	365								
					39	1718				o	x	o	o													
4	1,5	32	9	145			400V 3F+T	4,0	400V 3F+T	29	1720	o	x	o	o	440	160	365								
										20	1721	o	x	o	o											
										29	1722	o	x	o	o	440	160	365								
										39	1723															
	2,5	32	11	205			400V 3F+T	6,0	400V 3F+T	8,5		~	~	o	~		190	395	550							
										20	1726	o	x	o	o	440	160	365								
	4	32	14	345			400V 3F+T	11,0	400V 3F+T	15,0	24	1728	o	x	o	o	440	160	365							
											20	1727	o	x	o	o			410							
														10,0	400V 3F+T	13,5			o	x	o	o	440	160	365	
														17,0	400V 3F+T	22,0			~	~	o	~		190	395	550
	6	50	17	460			400V 3F+T	17,0	400V 3F+T	22,0	15	1735	~	x	o	o	550	160	410							
	100					400V 3F+T	17,0	400V 3F+T	22,0			~	x	o	o											
	50					400V 3F+T	17,0	400V 3F+T	22,0	24	1737	~	x	o	o	550	160	410								

Dimensions and installation methods bracket art. 1703

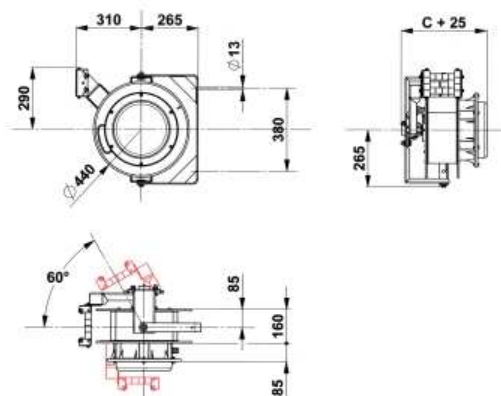
Reel dimensions



Installation methods



Dimensions bracket art. 1701



Dimensions bracket art. 1704

